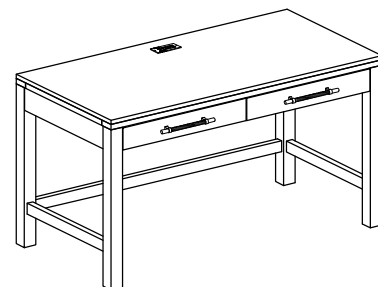


### Warning :

- Be sure to check all packing material carefully for small parts, which may have come loose inside the carton during shipment.
- To prevent possible scratches and damage, this furniture **MUST BE ASSEMBLED BY TWO PEOPLE** on a soft surface such as a blanket or carpet.

**Important Use Information:** We recommend using coasters, placemats and trivets when placing hot or cold containers on this item. It is also recommended to quickly cleanup any spills to minimize exposure to moisture. Doing so will prolong the life and look of the item for many years.

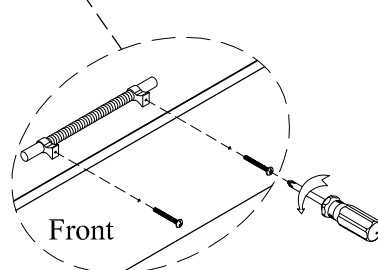
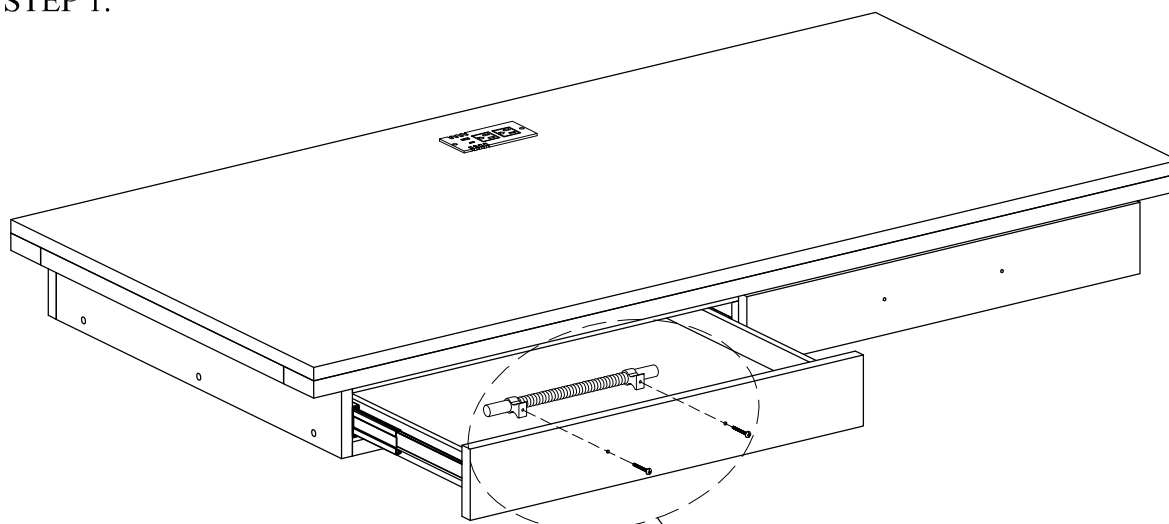


30730  
Writing Desk

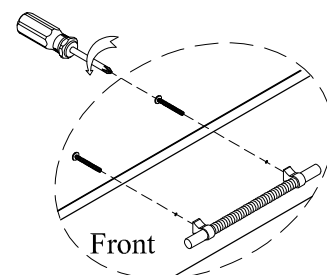
### Components and Hardware List

<p>Top Assembly 1 pc. (B)</p>		<p>Leg Assembly (Left) 1 pc. (C)</p>		<p>Leg Assembly (Right) 1 pc. (D)</p>		<p>Stretcher 1 pc.</p>	
<p>Allen Head Bolt M6-32 x 40mm 12 pcs. (E)</p>	<p>Lock Washer Ø9 x Ø13mm 12 pcs. (F)</p>	<p>Flat Washer Ø8 x Ø16mm 12 pcs. (G)</p>	<p>Allen Key 4 x 110mm 1 pc. (H)</p>	<p>Wood Screw Ø4 x 50mm 2 pcs. (I)</p>	<p>Furniture Tipping Restraint Kit 1 pc. (J)</p>	<p>Tool Required (not provided) Phillips Screwdriver</p>	

### STEP 1:

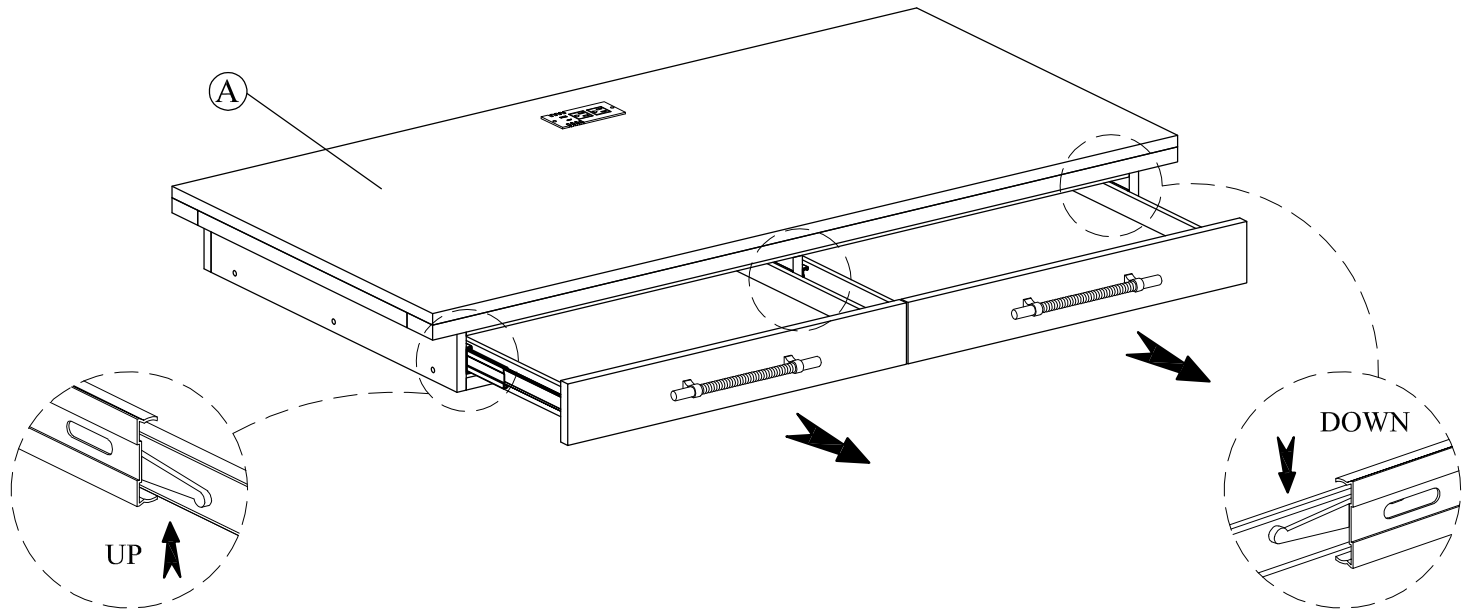


Remove Handle from  
inside drawer

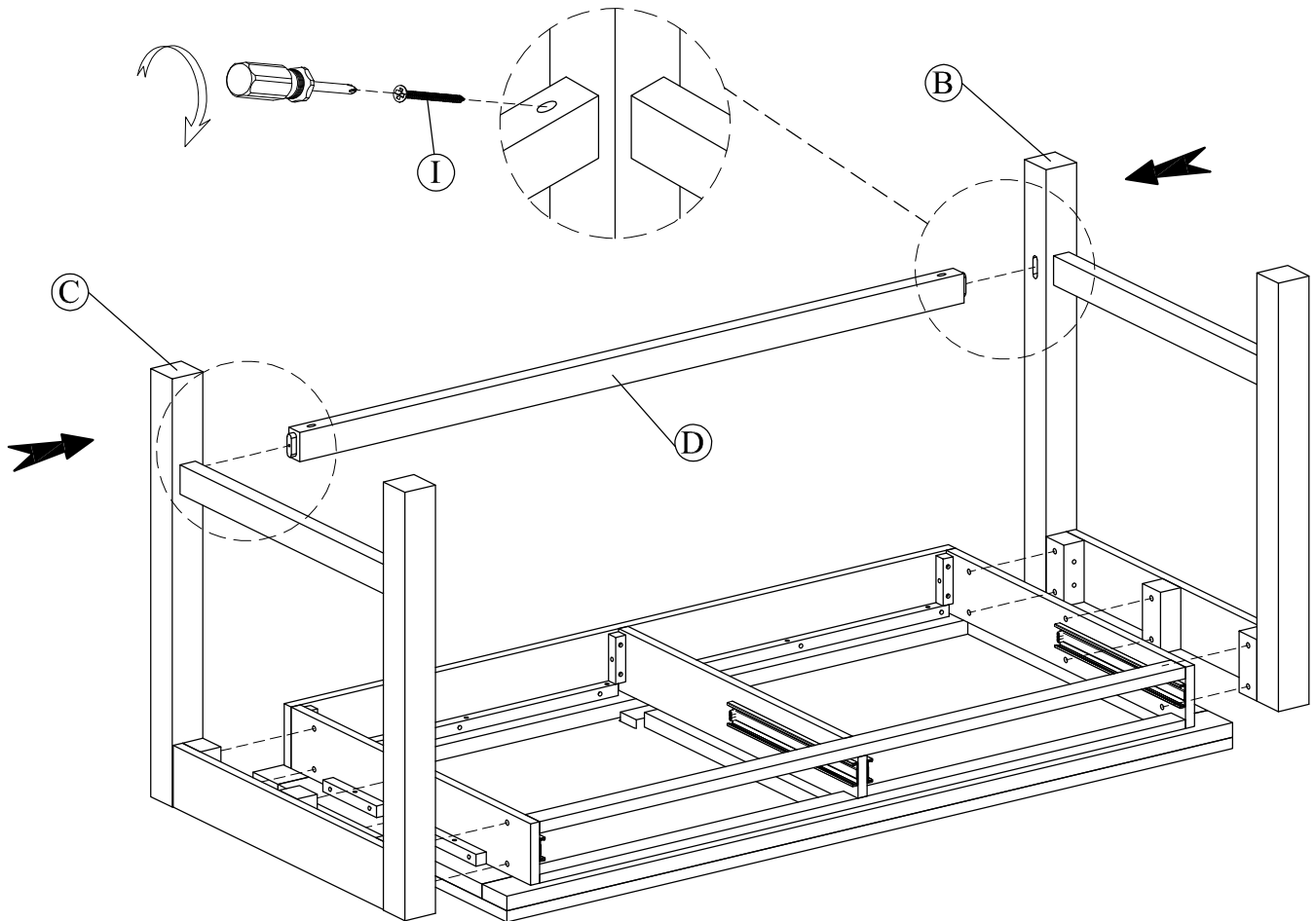


Reattach Handle to  
front of drawer

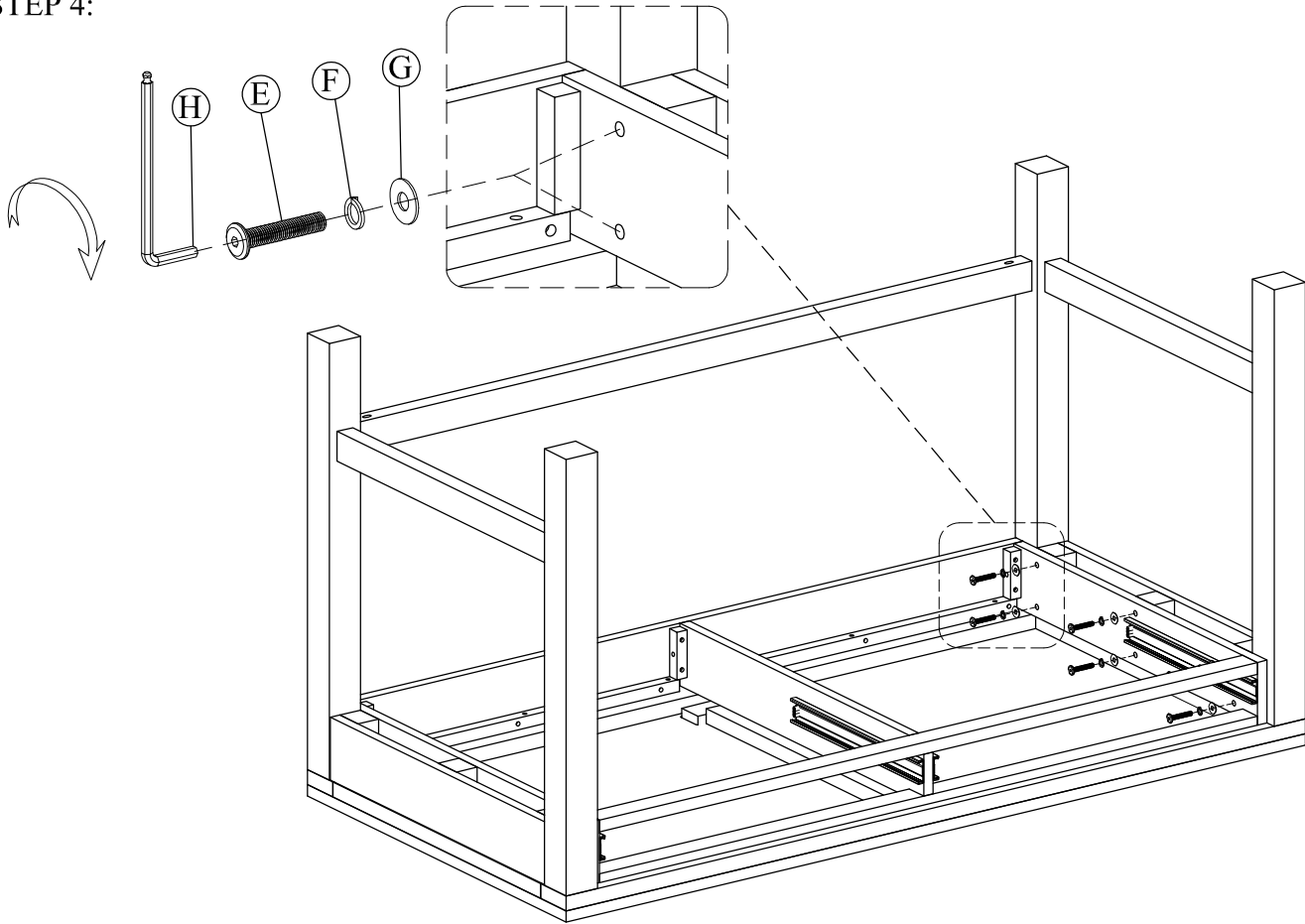
STEP 2: Remove Both Drawers



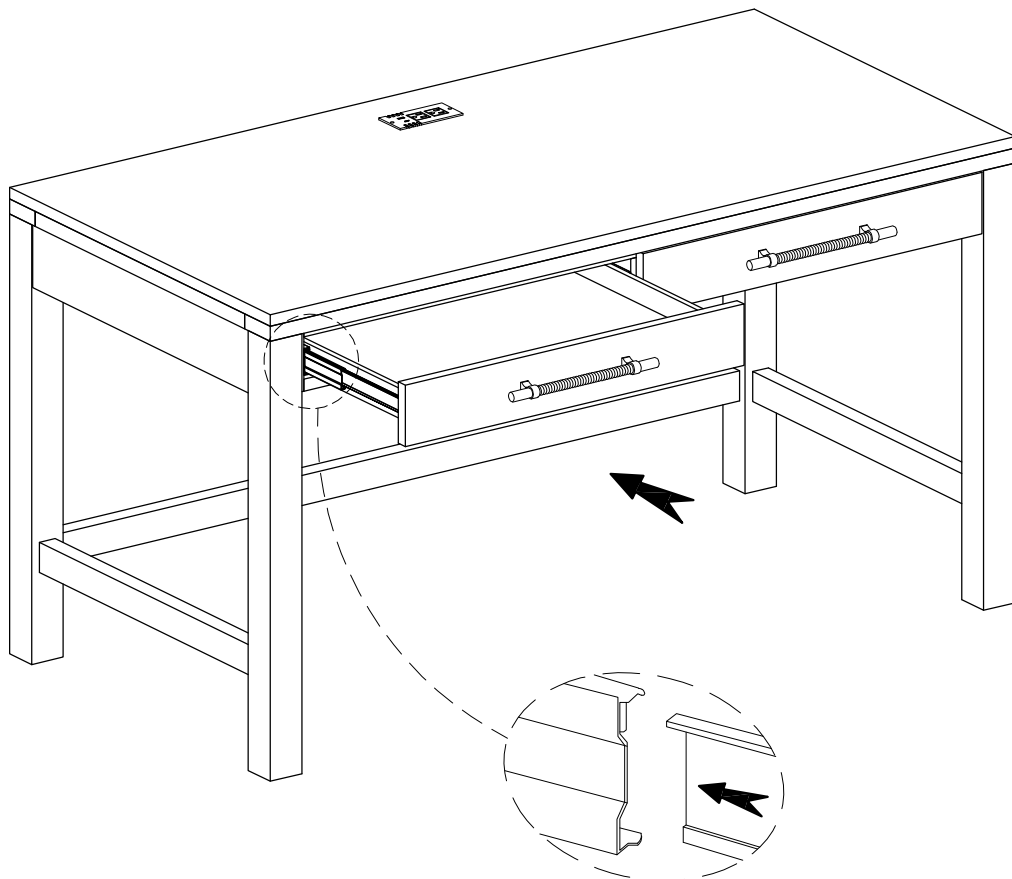
STEP 3:



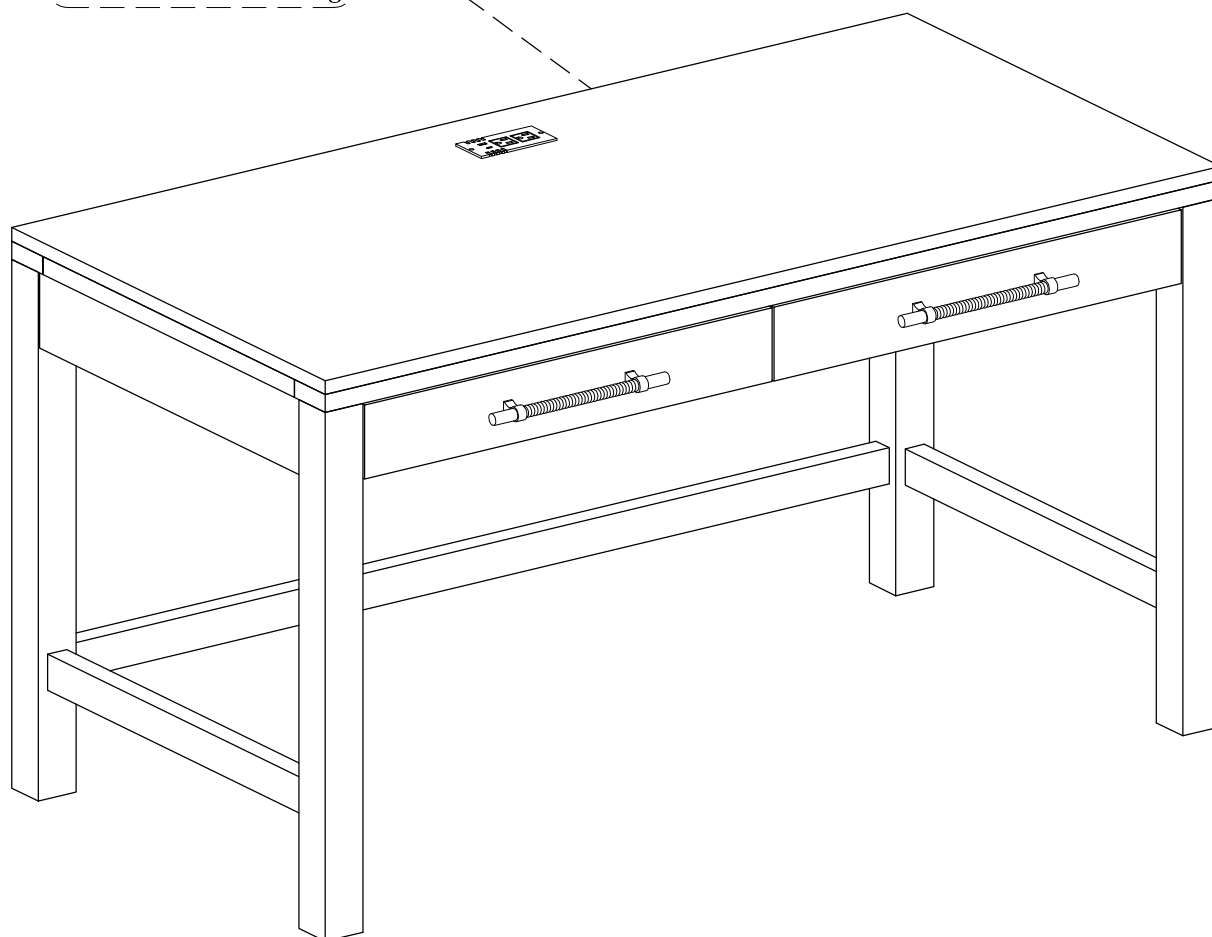
STEP 4:



STEP 5: Reattach Both Drawers



STEP 6:



For product and personal safety, a Furniture Tipping Restraint kit has been included with this unit which can help to minimize the risk of the unit accidentally tipping forward, if used and properly installed per the manufacturer's instructions.